

4

3

2

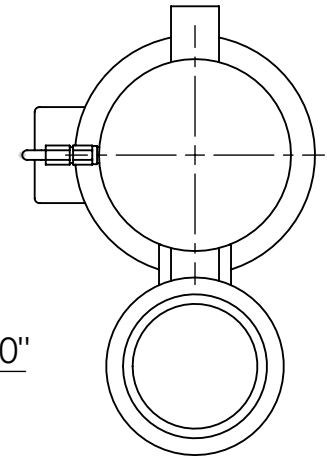
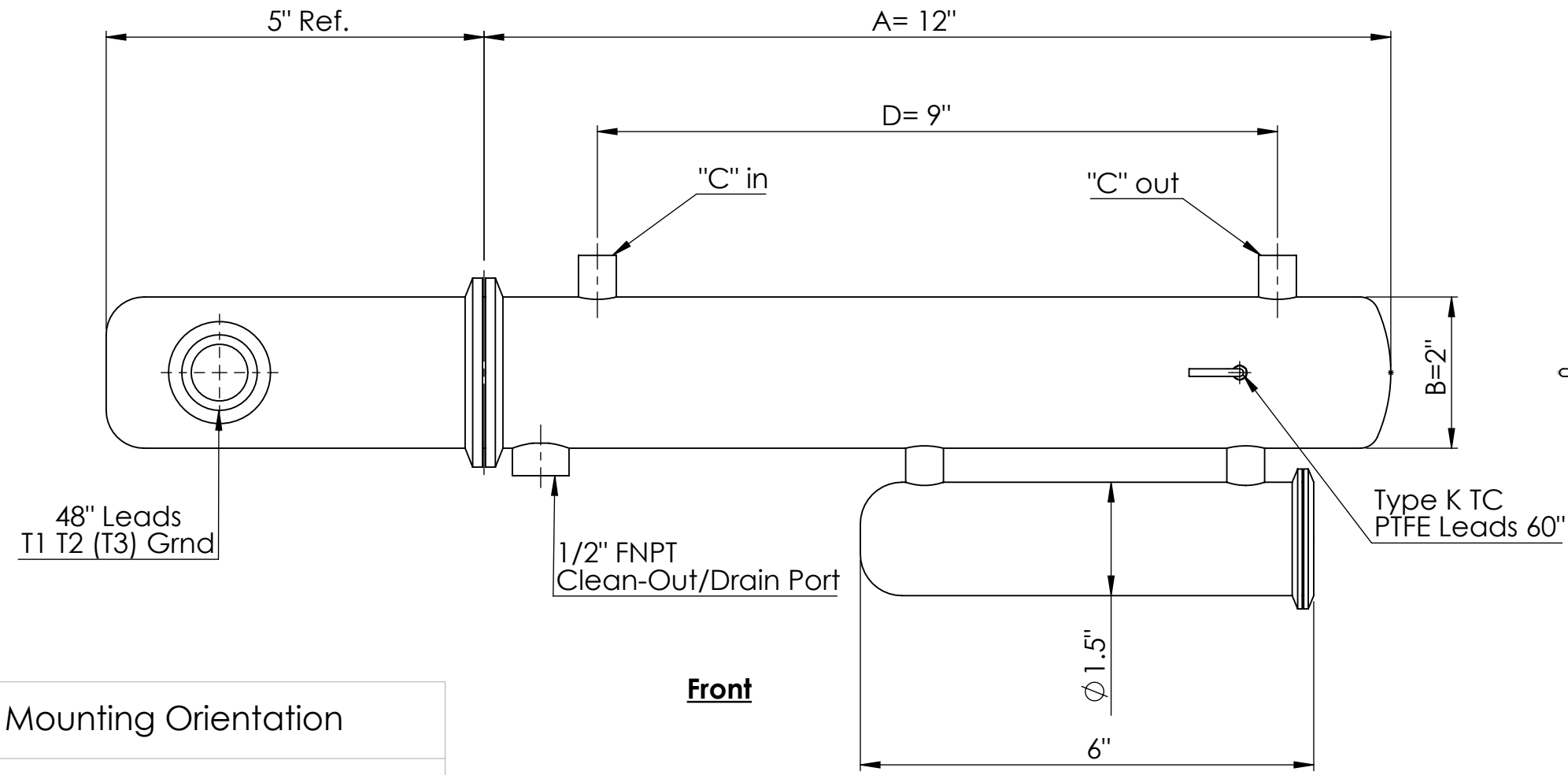
1

Model Number	Voltage	Wattage	Phase	"A" Dim	"B" Dim	"C" FNPT	"D" Dim
CRES-CS-12-0020-K-1P	120	2000	1	12	2	1/4"	9

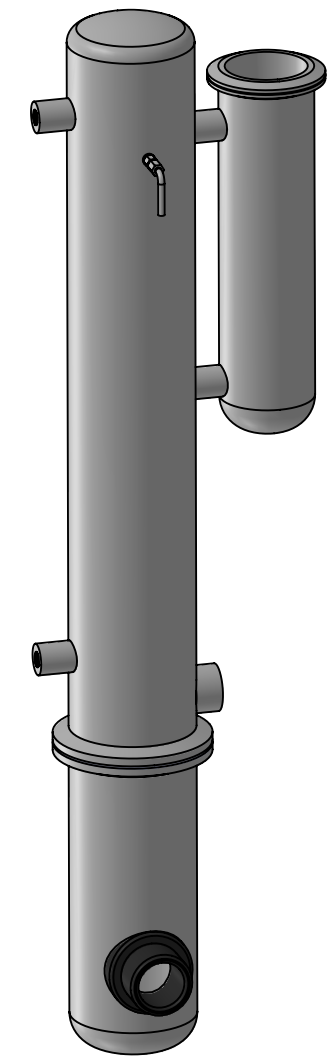
REVISIONS			
REV	DESCRIPTIONS	DATE	APPD

B

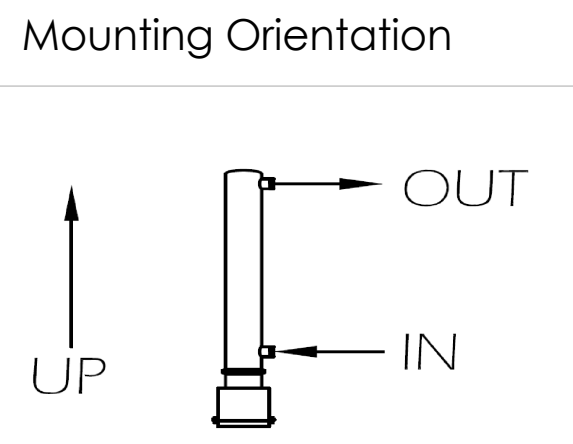
B



Right Side



Realistic View



A

A

Unless otherwise specified drawing should be used for estimation purposes only



INFINITY THERMAL CORP
 306 Sturbridge Rd
 Charlton MA 01507

Drawn By	HEG
Date	12-07-21
Approval	JJ
Revision	0

CRES CLEAN STEAM GENERATOR

PROPRIETARY

Notice: THIS DOCUMENT EMBODIES CONFIDENTIAL PROPRIETARY INFORMATION OWNED BY INFINITY THERMAL. NOTICE IS GIVEN, THAT ALL DESIGN, MANUFACTURING AND REPRODUCTION OR USE OF THIS DOCUMENT IN CONJUNCTION WITH GOVERNMENT CONTRACT OR COMMERCIAL USE DOES NOT CONVEY ANY RIGHTS TO GOVERNMENT PARTIES OR ANY OTHER INTERESTS, AND ITS BRANCHES. ALL DESIGNS AND INFORMATION REMAIN THE SOLE PROPERTY OF INFINITY THERMAL WITHOUT EXCEPTION. ALL ORDERS BASED ON THIS EMBODIMENT ARE UNDER CONFIDENTIAL AGREEMENT AND CANNOT BE DISCLOSED WITHOUT PRIOR WRITTEN CONSENT TO UNAUTHORIZED PERSONS, OR TO INCORPORATE THIS PROPRIETARY DESIGN AND SUBSTANCE OF IT EITHER IN WHOLE OR IN PART WITH ANY OTHER PROJECT OR PARTIES.

TOLERANCES

XXX	+/-	1.0
XX.X	+/-	0.1"
X.XX	+/-	0.05"
.XXX	+/-	0.01"

B	CRES-CS-12-0020-K-1P	0
NTS	12020	SHEET 1 OF 1

4

3

2

1