

4

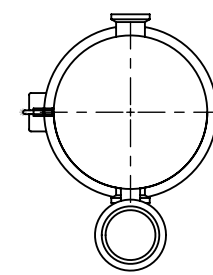
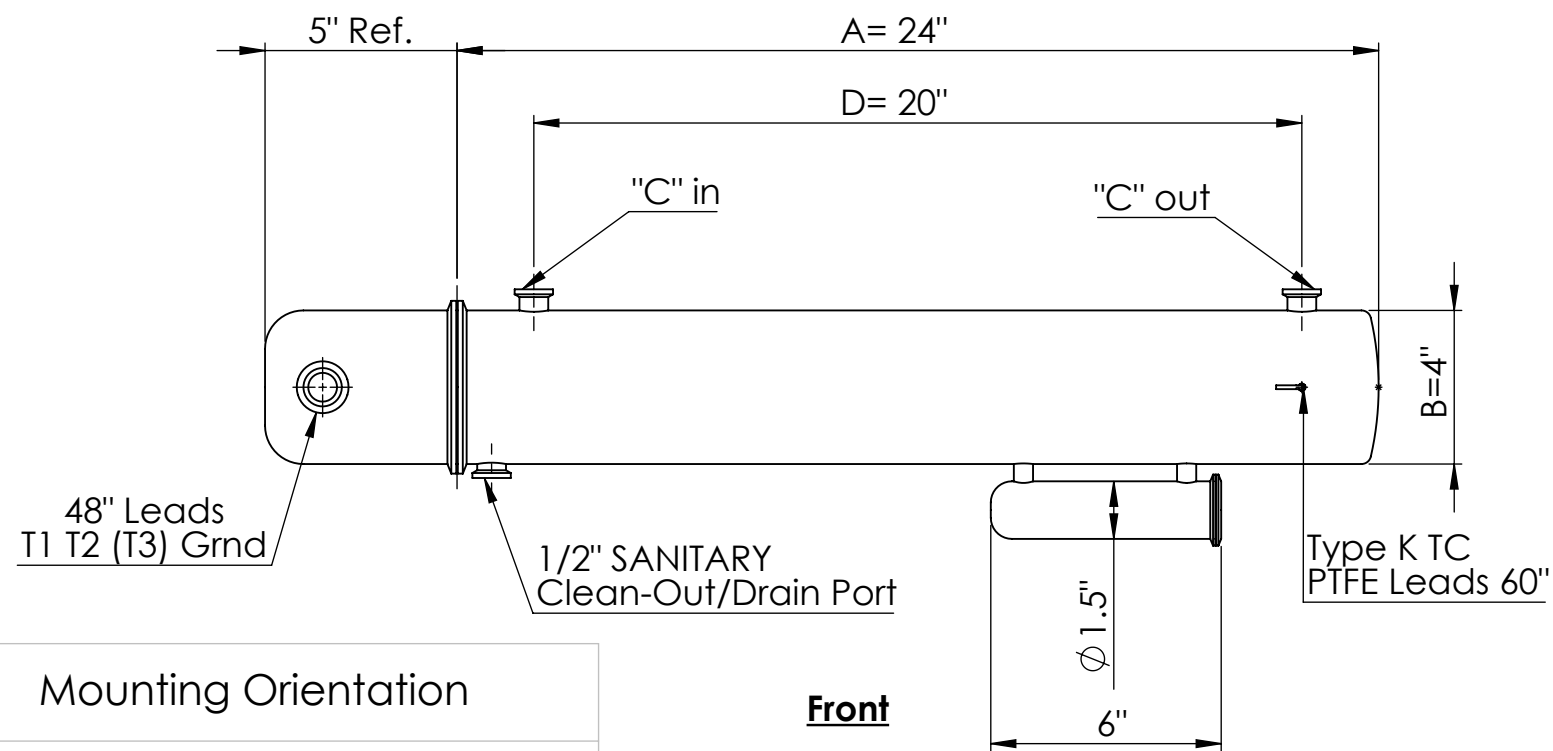
3

2

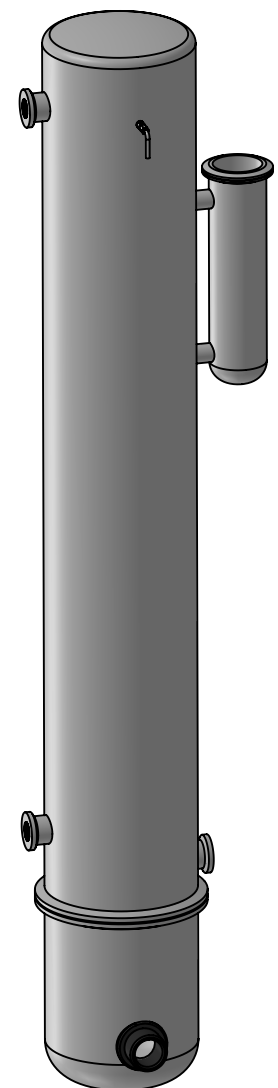
1

Model Number	Voltage	Wattage	Phase	"A" Dim	"B" Dim	"C" Dim	"D" Dim
CRES-PS-21-0100-K-3P	208	10000	3	24	4	1/2" SANITARY	20

REVISIONS			
REV	DESCRIPTIONS	DATE	APPD

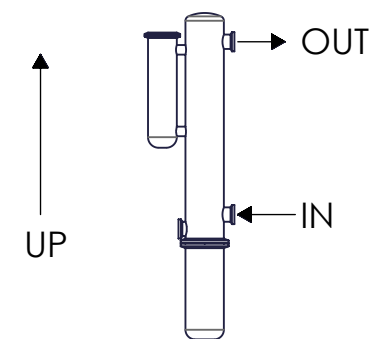


Right Side



Realistic View

Mounting Orientation



Front

Unless otherwise specified drawing should be used for estimation purposes only



INFINITY THERMAL CORP
 306 Sturbridge Rd
 Charlton MA 01507

PROPRIETARY

TOLERANCES

XXX	+/-	1.0
XX.X	+/-	0.1"
X.XX	+/-	0.05"
.XXX	+/-	0.01"

Drawn By	HEG
Date	12-07-21
Approval	JJ
Revision	0

CRES PURE STEAM GENERATOR

Notice: THIS DOCUMENT EMBODIES CONFIDENTIAL PROPRIETARY INFORMATION OWNED BY INFINITY THERMAL. NOTICE IS GIVEN, THAT ALL DESIGN, MANUFACTURING AND REPRODUCTION OR USE OF THIS DOCUMENT IN CONJUNCTION WITH GOVERNMENT CONTRACT OR COMMERCIAL USE DOES NOT CONVEY ANY RIGHTS TO GOVERNMENT PARTIES OR ANY OTHER INTERESTS, AND ITS BRANCHES. ALL DESIGNS AND INFORMATION REMAIN THE SOLE PROPERTY OF INFINITY THERMAL WITHOUT EXCEPTION. ALL ORDERS BASED ON THIS EMBODIMENT ARE UNDER CONFIDENTIAL AGREEMENT AND CANNOT BE DISCLOSED WITHOUT PRIOR WRITTEN CONSENT TO UNAUTHORIZED PERSONS, OR TO INCORPORATE THIS PROPRIETARY DESIGN AND SUBSTANCE OF IT EITHER IN WHOLE OR IN PART WITH ANY OTHER PROJECT OR PARTIES.

B	CRES-PS-21-0100-K-3P	0
NTS	21100	SHEET 1 OF 1

4

3

2

1